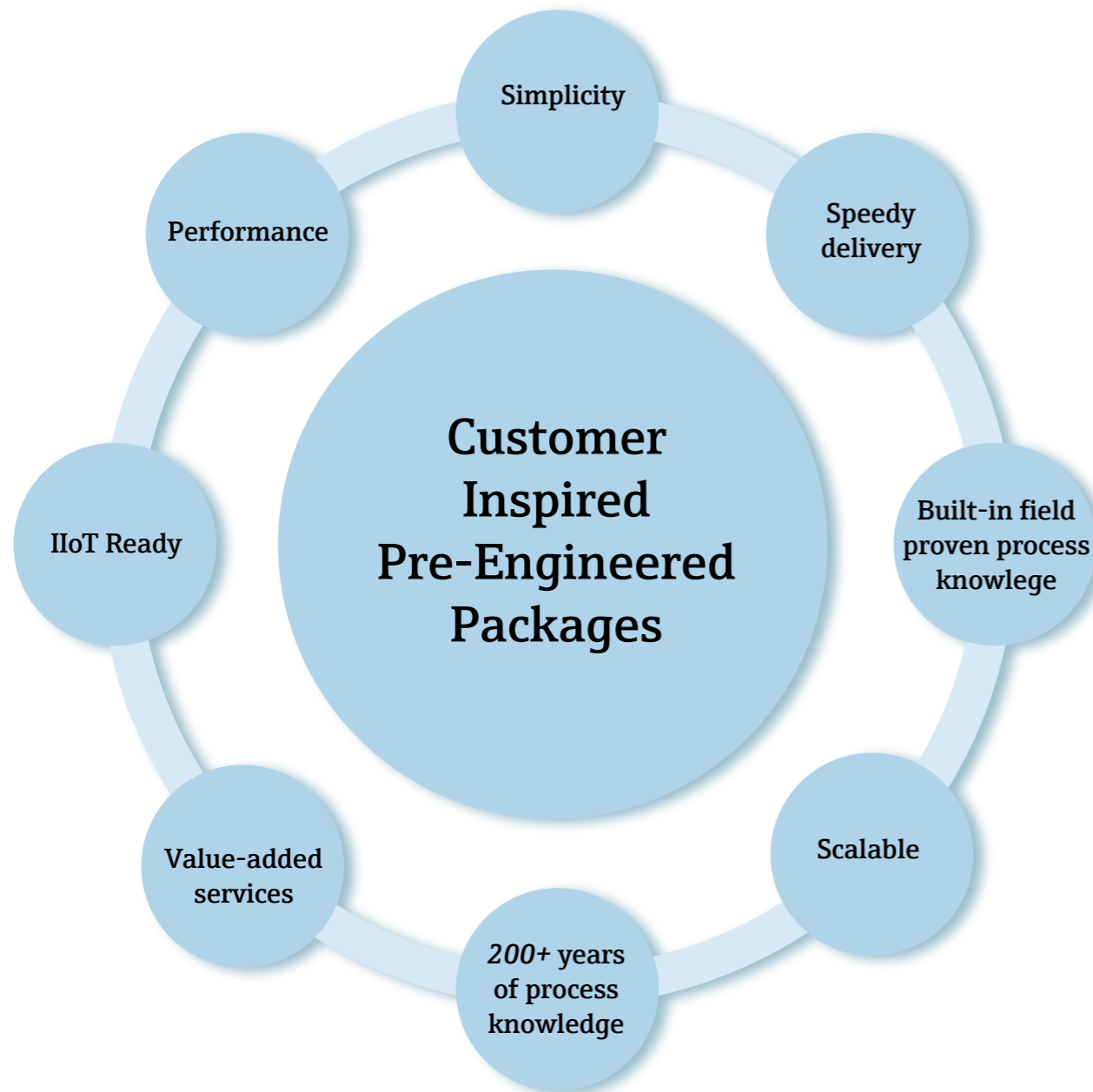


SOLUTIONS SHOWCASE

[Search by Solution](#)

[Search by Industry](#)



Search by Solution

Can't find what you are looking for?

[Contact Us](#)

Flow Metering

- [Flow Carts](#)
- [Flow Metering Skids](#)
- [Milk Receiving Skid](#)
- [Truck/Rail Loading Skid](#)

Inventory Management

- [Wireless Tank Monitoring](#)
- [Process Monitoring Enclosures](#)
- [Data Manager Enclosures](#)
- [Overfill Protection](#)

Liquid Analysis

- [Free Chlorine Panels](#)
- [Total Chlorine Panels](#)

Gas Analysis

- [Field Analyzer Systems](#)
- [Sample Conditioning](#)
- [Venting Solutions](#)

Training Solutions

- [Training Carts](#)
- [Training Skids](#)

Accessories

- [Hand Gauge Chambers](#)
- [Level Fork Mounting and Protection](#)
- [Netilion Enclosure](#)

Hover over image/click to navigate

Search by Industry

Can't find what you are looking for?

[Contact Us](#)

Food & Beverage

- [Flow Carts](#)
- [Flow Metering Skids](#)
- [Milk Receiving Skid](#)
- [Inventory Management](#)
- [Disinfection Analysis System](#)

Chemicals

- [Flow Carts](#)
- [Flow Metering Skids](#)
- [Truck/Rail Loading Skid](#)
- [Inventory Management](#)
- [Gas Analysis Systems](#)

Oil & Gas

- [Flow Carts](#)
- [Flow Metering Skids](#)
- [Truck/Rail Loading Skid](#)
- [Inventory Management](#)
- [Gas Analysis Systems](#)

Water/Wastewater

- [Flow Carts](#)
- [Flow Metering Skids](#)
- [Inventory Management](#)
- [Disinfection Analysis System](#)

Mining/Minerals

- [Flow Metering Skids](#)
- [Truck/Rail Loading Skid](#)
- [Inventory Management](#)
- [Gas Analysis Systems](#)

Power & Energy

- [Truck/Rail Loading Skid](#)
- [Inventory Management](#)

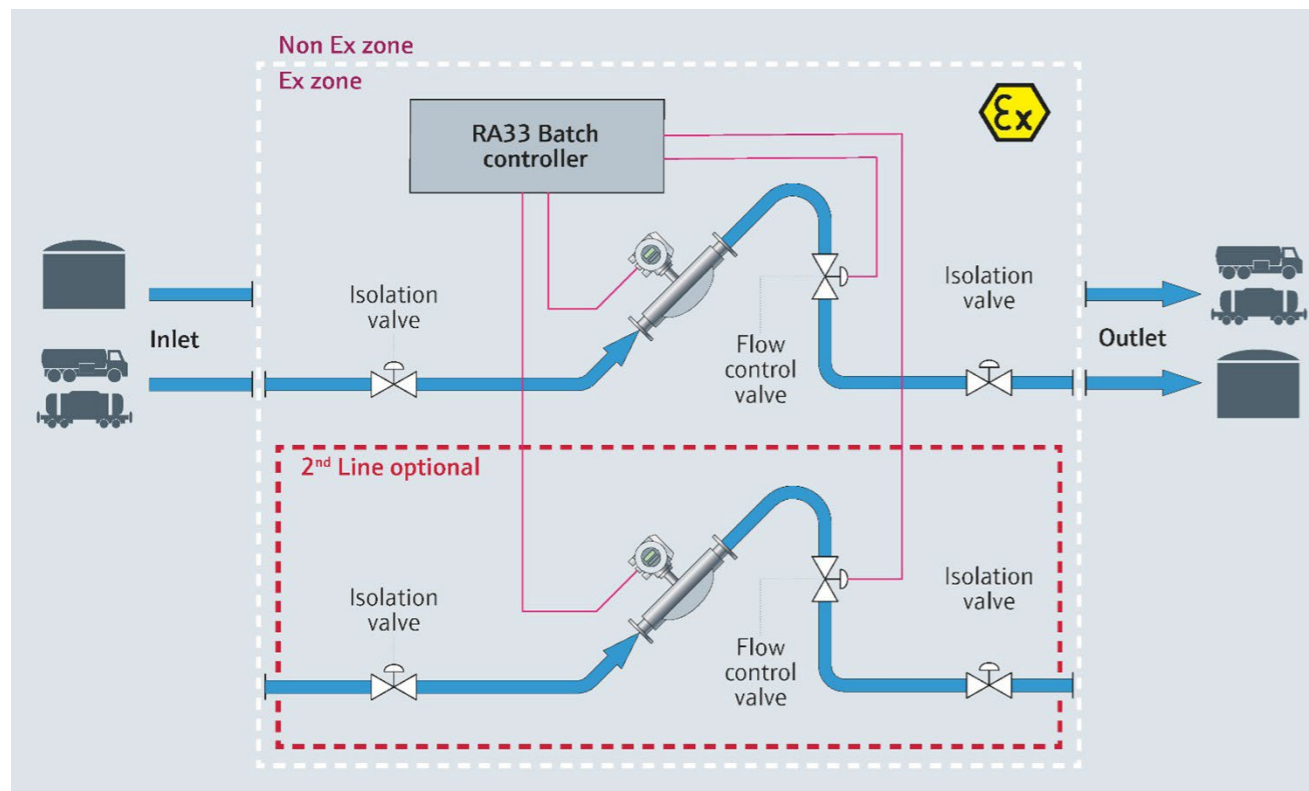
Hover over image/click to navigate

Flow Carts

Portable Flow Carts ensure accurate batch verification

Overview

Configurable Flow Carts



Applications

- Calibration
- Batch verification
- Basic flow metering
- Lab testing
- Simple filling/emptying

Industries

- Water/Wastewater
- Chemical Industry
- Food & Beverage
- Utilities
- Oil/ Natural Gas

Our features

- Customizable, portable flow cart for easy batch verification
- Variety of orientations, process connections, and sizes fit for any application
- Can be upgraded to dual flowmeter, dual feed
- Stainless steel construction, suitable for hygienic applications
- State-of-the-art Endress+Hauser flow measurement technology

Flow Carts

Increase throughput, save costs and enhance accuracy

Overview

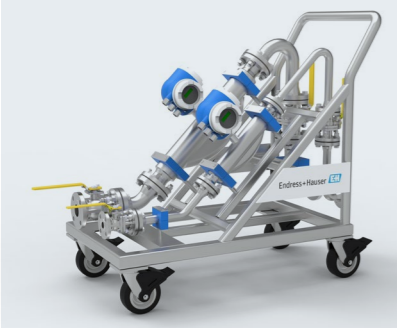
Configurable Flow Carts



Single Line Flow Cart

Portable Flow Carts ensure accurate batch verification

- Line sizes from 1/2" to 2"
- Flange, tri-clamp, or camlock process connections
- Cl. 150 or Cl. 300 flanges available
- Stainless steel construction
- Ball valves on inlet and outlet
- Option for 6" or 10" wheels
- 120v power with different length power cables available
- Hazardous and non-hazardous options



Dual Line Flow Cart

Portable Flow Carts ensure accurate batch verification

- Line sizes from 1/2" to 2"
- Flange, tri-clamp, or camlock process connections
- Cl. 150 or Cl. 300 flanges available
- Stainless steel construction
- Ball valves on inlet and outlet
- Option for 6" or 10" wheels
- 120v power with different length power cables available
- Hazardous and non-hazardous options



Single Line Batching Flow Cart

Portable Flow Carts ensure accurate batch verification

- RA33 Batch Controller
- Line sizes from 1/2" to 2"
- Flange, tri-clamp, or camlock process connections
- Cl. 150 or Cl. 300 flanges available
- Stainless steel construction
- Ball valves on inlet and outlet
- Option for 6" or 10" wheels
- 120v power with different length power cables available
- Hazardous and non-hazardous options



Configure

Request Quote

Or reach out to your local Endress+Hauser sales representative and reference

Reference: Configurable Flow Carts

[Rep Finder](#)

Flow Metering Skids

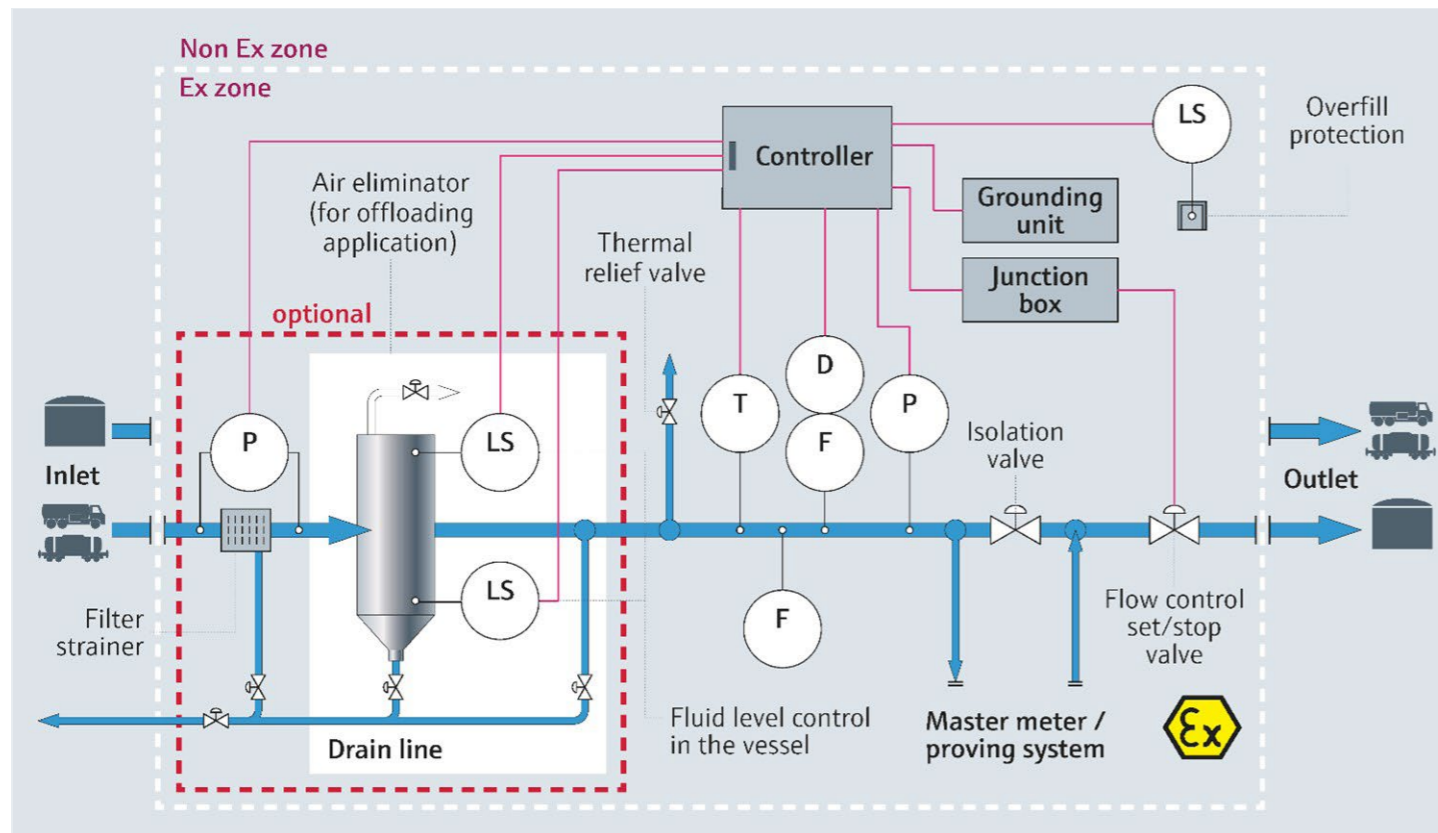
Industry specialized skid systems

Overview

Flow Metering Skids

Milk Receiving Skid

Truck/Rail Loading Skid



Applications

- Loading/unloading operations
- Chemical injection/dosing
- Fuel bunkering
- Feed trials
- pH control

Industries

- Water/Wastewater
- Chemical Industry
- Oil & Gas
- Food & Beverage
- Pharmaceutical

Our features

- Compact skid designs allow for flexibility between measuring points
- Customizable orientations fit any application
- Integrated control systems for highly accurate flow measurements
- Flexible designs fit for most industries and applications
- State-of-the-art flowmeter technology

Flow Metering Skids


Skid solutions for safe, accurate and cost-effective transfer operations

Overview	Flow Metering Skids	Milk Receiving Skid	Truck/Rail Loading Skid
----------	----------------------------	---------------------	-------------------------



Simplex Flow Metering Skid
Precise metering of chemicals, additives, or process aides

- Electromagnetic or Coriolis flowmeter
- Horizontal or Vertical orientation
- Progressive cavity pump
- Wash down duty motor
- Allen Bradley control system
- Sch. 80 PVC calibration column
- 1-20 GPM capacity
- Thermoplastic or SS framing

 **Netilion Ready**


Technical Data

Or reach out to your local Endress+Hauser sales representative and reference **Simplex Flow Metering Skids**
[Rep Finder](#)



Duplex Flow Metering Skid
Precise metering of chemicals, additives, or process aides

- Electromagnetic or Coriolis flowmeters
- Progressive cavity pump
- Wash down duty motor
- Allen Bradley control system
- Sch. 80 PVC calibration column
- 1-20 GPM capacity
- Thermoplastic or SS framing

 **Netilion Ready**


Technical Data

Or reach out to your local Endress+Hauser sales representative and reference **Duplex Flow Metering Skids**
[Rep Finder](#)



Polymer Dilution Skid
Continous direct feed of emulsion polymer to process

- Grundfos Vertical Multi-stage Centrifugal Pump
- 1/2 Hp, 115/208-230 VAC, 60 H
- Pressure Relief Valve Plumbed to Pump Suction
- Sch. 80 PVC Calibration Column
- 5 GPM
- Back Pressure Valve

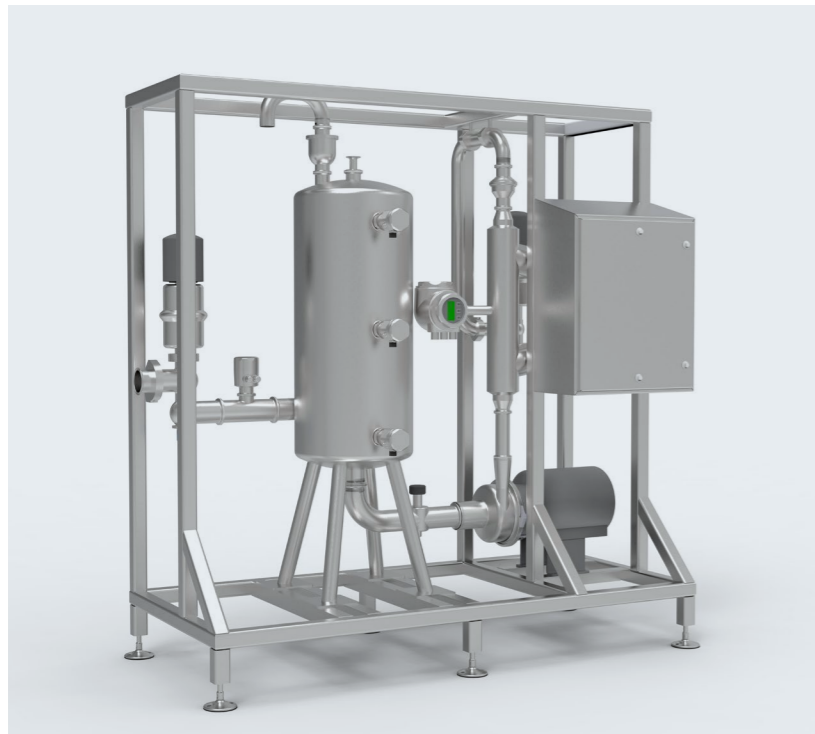
 **Netilion Ready**

Technical Data

Or reach out to your local Endress+Hauser sales representative and reference **Polymer Dilution Skids**
[Rep Finder](#)

Flow Metering Skids

Skid solutions for safe, accurate and cost-effective transfer operations

[Overview](#)[Flow Metering Skids](#)[Milk Receiving Skid](#)[Truck/Rail Loading Skid](#)

Milk Receiving Skid

Repeatable, high-speed, high-performance unloading of milk delivery/receiving trucks

- Eliminates need for truck scales saving time, money, space and reducing likelihood of error
- Promass Q 300
- FTL level sensors
- CLD18 conductivity sensor
- Surge tank and air eliminator
- Allen Bradley control system
- NTEP custody transfer available
- Pump
- CIP spray ball and hygienic deflector

[Request Quote](#)

Or reach out to your local Endress+Hauser sales representative and reference **Milk Receiving Skid**
[Rep Finder](#)

Flow Metering Skids

Skid solutions for safe, accurate and cost-effective transfer operations

[Overview](#)[Flow Metering Skids](#)[Milk Receiving Skid](#)[Truck/Rail Loading Skid](#)

Truck/Rail Loading Skid

Repeatable, space-saving loading skid with custody transfer approvals



- Replacement for high maintenance mechanical flowmeters and truck scales
- Vertical or horizontal orientation
- Promass Q 300
- Built in pressure temperature and compensation
- Flow computer with digital control valve
- Manual inlet/outlet and proving valves
- Inline basket strainer
- Up to 2400 GPM

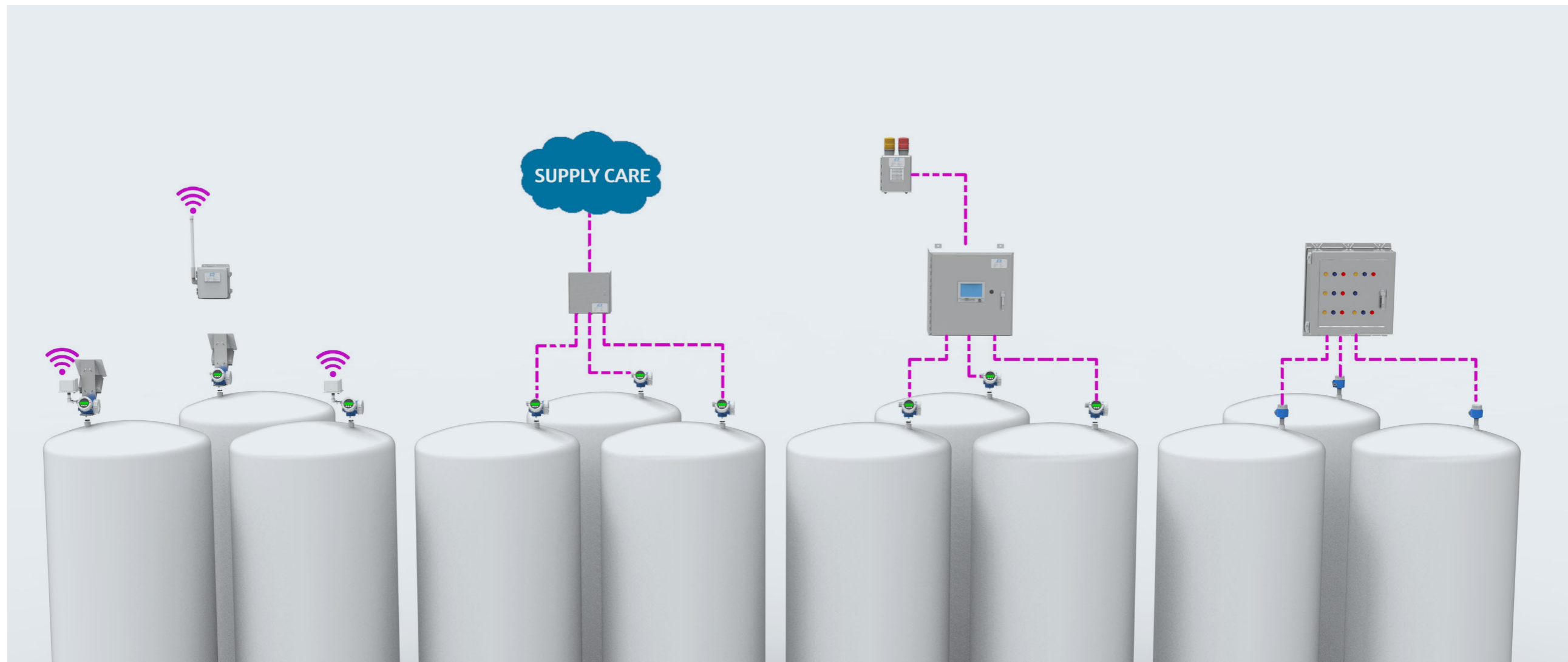
[Request Quote](#)

Or reach out to your local Endress+Hauser sales representative and reference **Truck/Rail Loading Skid**
[Rep Finder](#)

Inventory Management Solutions

Leading edge solutions to meet all storage monitoring and zero loss requirements

- Overview
- Wireless Tank Monitoring
- Process Monitoring Enclosures
- Data Manager Enclosures
- Overfill Prevention



Wireless Tank Monitoring

Wireless inventory management solutions for optimal stock level control

Overview

Wireless
Tank Monitoring

Process Monitoring
Enclosures

Data Manager
Enclosures

Overfill Prevention



Applications

- Power scarce applications
- Limited accessibility to process areas
- Remote monitoring
- Scattered measurement points
- Outdoor tank farms

Our features

- State-of-the-art level measurement technology
- Shipped as full assembly, tested with radar
- Intrinsically safe assembly, Class 1, Div. 2 rated
- Integration to cloud-based platforms FieldCare and SupplyCare

Industries

- Oil & Gas
- Chemical Industry
- Mining/Minerals/Metals
- Food & Beverage
- Water/Wastewater
- Power & Energy

Wireless Tank Monitoring
Solutions

Wireless Tank Monitoring

[Overview](#)**Wireless
Tank Monitoring**[Process Monitoring
Enclosures](#)[Data Manager
Enclosures](#)[Overfill Prevention](#)

Wireless Solar Assembly

Turnkey wireless level measurement complete with solar package

- Wireless adapter with solar kit and battery mounted to radar sensor
- Delivered as full assembly (instrumentation sold separately)
- Compatible with most Endress+Hauser Level, Pressure, and Temperature sensors
- Solar powered battery

[Technical Data](#)

Or reach out to your local Endress+Hauser sales representative and reference

Wireless Solar Assembly

[Rep Finder](#)



Wireless Adapter Assembly

Wireless transmission of measurement values to a gateway

- Wireless adapter mounted to radar sensor
- Delivered as full assembly (instrumentation sold separately)
- Compatible with most HART enabled Endress+Hauser Level, Pressure, and Temperature sensors

[Technical Data](#)

Or reach out to your local Endress+Hauser sales representative and reference

Wireless Adapter Assembly

[Rep Finder](#)



Gateway

Wireless gateway for collection and transmission of measurement values

- Supports up to 240 nodes
- 750 MODBUS registers available
- Includes DIN-rail communication adapter
- MODBUS TCP or RTU outputs
- Class 1 Div 2

[Technical Data](#)

Or reach out to your local Endress+Hauser sales representative and reference

Wireless Gateway

[Rep Finder](#)

Process Monitoring Enclosures

Remote monitoring of process values integrated through cloud-based management system Endress+Hauser SupplyCare

Overview

Wireless
Tank Monitoring

Process Monitoring
Enclosures

Data Manager
Enclosures

Overfill Prevention

Applications

- Remote monitoring
- Tank gauging
- Planning/ stock optimization
- Terminal management
- Wells/settling ponds/silos

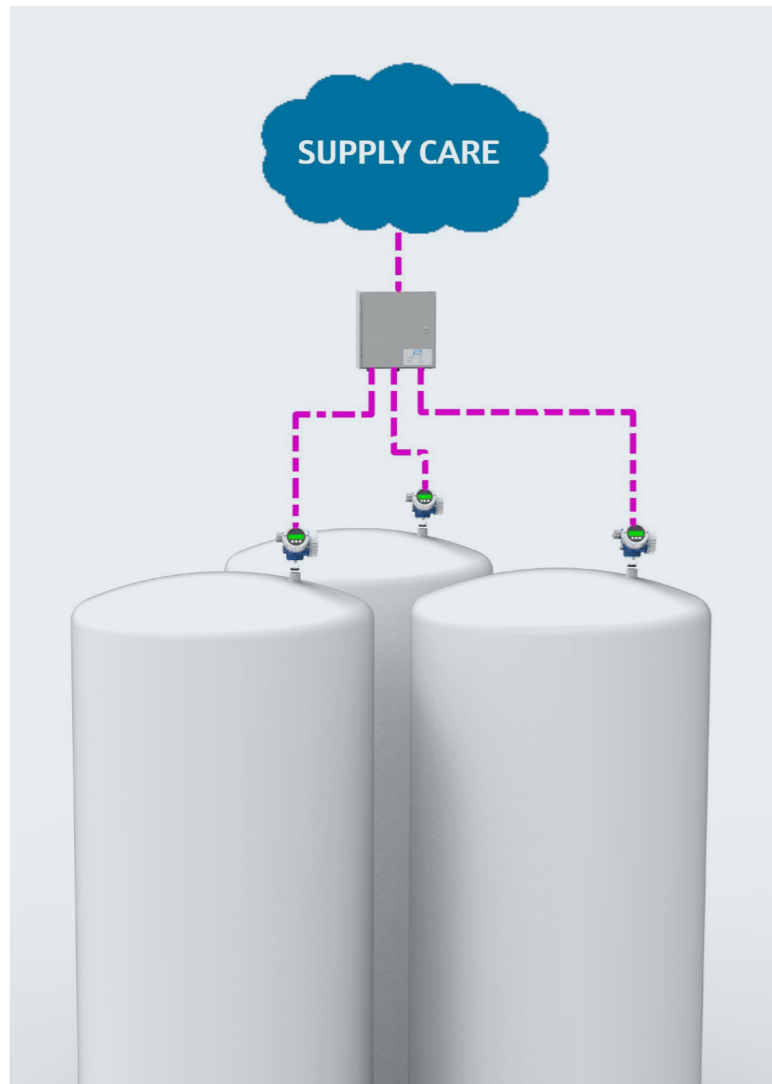
Industries

- Oil & Gas
- Chemical Industry
- Mining/Minerals/Metals
- Food & Beverage
- Water/Wastewater
- Power & Energy

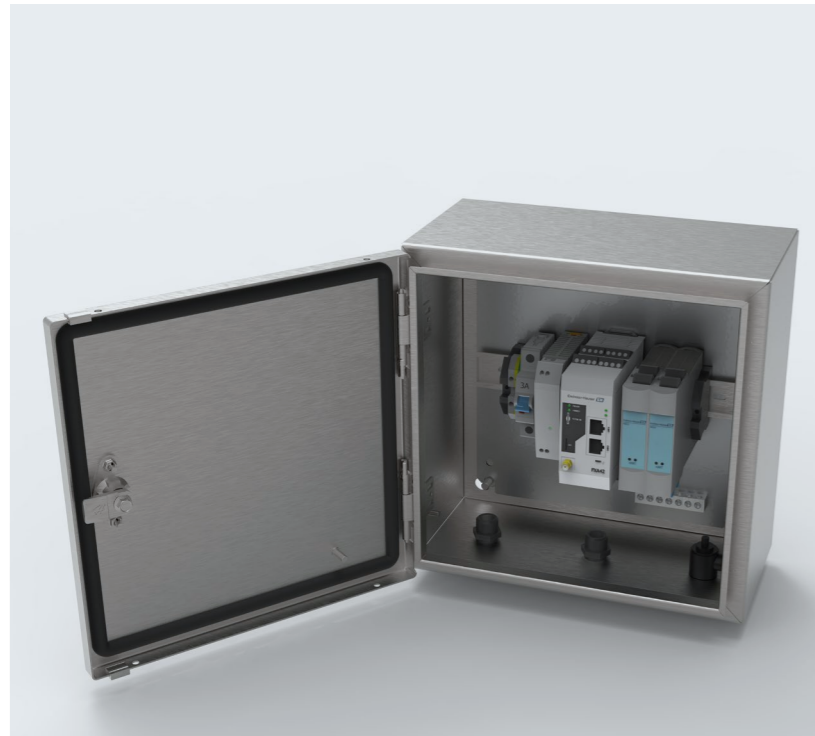
Our features

- Integration from measuring points to operating system and to cloud-based SupplyCare
- Visualization of data regardless of location via standard internet browser
- Configurable measurement and data transmission cycles
- Monitoring of limit values and alarm signalling via email or text
- Simple connection to field devices and third-party systems

Process Monitoring
Enclosures Solutions



Process Monitoring Enclosures

[Overview](#)[Wireless Tank Monitoring](#)[Process Monitoring Enclosures](#)[Data Manager Enclosures](#)[Overfill Prevention](#)

Process Monitoring Enclosure

The fieldgate FXA42 enclosure serves as a gateway for measurement devices to communicate with SupplyCare

- Fiberglass or painted steel construction
- Up to (4) 4-20 mA 2-wire instruments
- Expandable up to 40 HART instruments
- NEMA 4X or 4/12 enclosure
- Compatible with instrument remote display
- MODBUS output
- Communication via ethernet or cellular to the cloud

Technical Data

Or reach out to your local Endress+Hauser sales representative and reference

Process Monitoring Enclosure

[Rep Finder](#)

Data Manager Enclosures

Consolidated instrumentation data collection and display with alarm outputs for safe and efficient operation

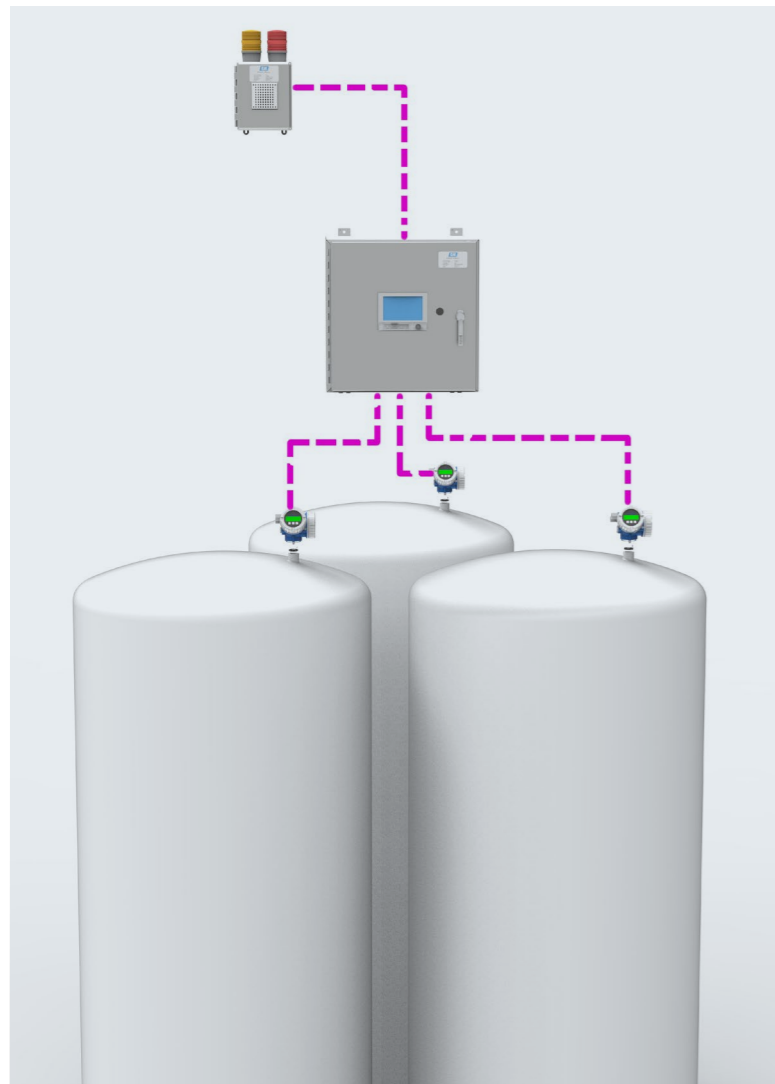
Overview

Wireless
Tank Monitoring

Process Monitoring
Enclosures

Data Manager
Enclosures

Overfill Prevention



Applications

- Centralization of measurement data
- Energy monitoring
- Instrument monitoring
- Quality assurance
- Batch analysis

Our features

- Secure data and diagnostic recording and analysis with RSG45 technology
- Monitoring of process limits and can output to alarm and horn panel
- Supports a variety of communication protocols allowing for simple integration
- Analyzation and collection of a variety of process variables in a centralized location
- Internal calculations of mass flow and energy for water and steam applications

Industries

- Oil & Gas
- Chemical Industry
- Mining/Minerals/Metals
- Food & Beverage
- Water/Wastewater
- Power & Energy

Data Manager Enclosures
Solutions

Data Monitoring Enclosures

Overview

Wireless
Tank Monitoring

Process Monitoring
Enclosures

Data Manager
Enclosures

Overfill Prevention



Data Manager Enclosure

- Up to 20 analog or HART inputs, 14 digital
- Stainless steel or fiberglass construction
- Output to alarm panel
- NEMA 4/4X/12/13
- 7" graphic color display
- iTherm TrustSens calibration monitoring
- Direct access to HART sensors via Fieldcare

Technical Data

Or reach out to your local Endress+Hauser sales representative and reference **Data Manager Enclosure**
[Rep Finder](#)



Alarm Panel

- Fiberglass panel construction
- Red and amber strobe lights
- Electric horn, 99 dB at 10 feet
- NEMA 4/4X/12/13
- IP66 enclosure

Technical Data

Or reach out to your local Endress+Hauser sales representative and reference **Alarm Panels**
[Rep Finder](#)

Overfill Prevention

Integrated level measurement packages for leakage detection and overfill prevention

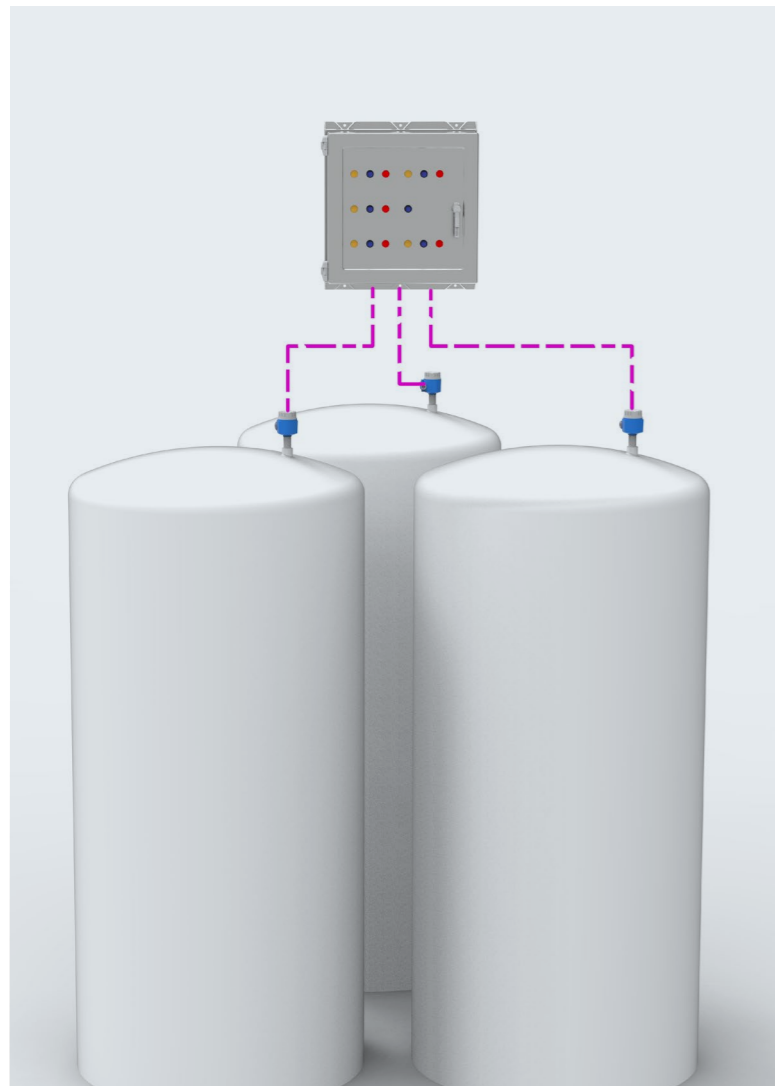
Overview

Wireless
Tank Monitoring

Process Monitoring
Enclosures

Data Manager
Enclosures

Overfill Prevention



Applications

- Chemical storage
- Truck loading
- Fuel depots
- Refineries
- Bulk material silos

Industries

- Oil & Gas
- Chemical Industry
- Mining/Minerals/Metals
- Food & Beverage
- Water/Wastewater

Our features

- Proof-testing technology ensures all level sensing instruments are functioning properly
- Alarm signal to alert of a fault status or overfill
- State-of-the-art Endress+Hauser point level measurement technology
- Suitable for solid materials along with combustible and non-combustible liquids
- Nivotester point level switches provide intrinsically safe circuit connection for sensors

Overfill Prevention
Solutions

Overflow Prevention

[Overview](#)[Wireless Tank Monitoring](#)[Process Monitoring Enclosures](#)[Data Manager Enclosures](#)[Overflow Prevention](#)

SOP80

Manual overflow prevention system serves to protect the system from overflow and leakage with the use of alarms and fault lamps

- Up to 5 high- or low-level switches
- Alarm and fault lamps included
- Automatic proof testing
- Compatible with Nivotester FTL325P
- Max of 5 tanks
- Fiberglass construction
- NEMA 4X rated enclosure
- Intrinsically safe

[Request Quote](#)

Or reach out to your local Endress+Hauser sales representative and reference

SOP80

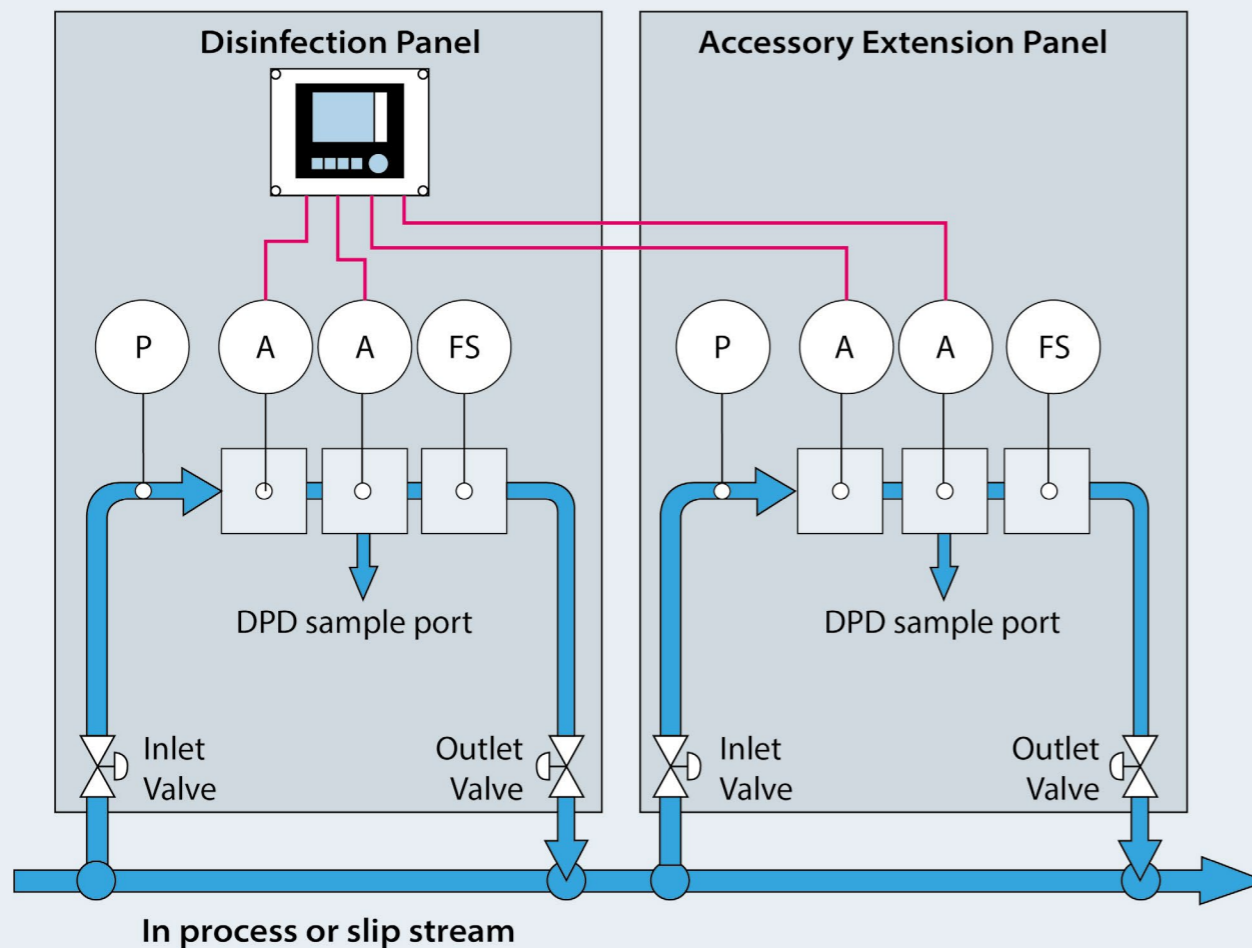
[Rep Finder](#)

Liquid Analysis Systems

A complete panel solution

Overview

Disinfection Analysis Systems



Applications

- Source water monitoring
- Wastewater treatment
- Industrial water purification
- Drinking water quality
- Effluent monitoring

Industries

- Water/Wastewater
- Chemical Industry
- Food and Beverage
- Utilities

Our features

- Compact system
- Easy selection of sample preparation and analytical parameters
- Extendable for additional parameters
- Standardized and easy connection of plates
- Space optimized
- Equipped with state-of-the-art Memosens technology including Liquiline platform

Liquid Analysis Systems

A complete panel solution

Overview

Disinfection Analysis Systems



Free Chlorine System

A turnkey solution for free chlorine measurement

- Wall-mountable stainless-steel panel
- 316 stainless steel tubing, fittings and valves
- CM442 or CM444 transmitter options
- Multiple chlorine measuring ranges from 0 to 200 mg/L
- Compliant to EPA Method 334.0
- Extension Panels Available



Technical Data

Or reach out to your local Endress+Hauser sales representative and reference

Free Chlorine Systems

[Rep Finder](#)



Total Chlorine System

A turnkey solution for total chlorine measurement

- Wall-mountable stainless-steel panel
- 316 stainless steel tubing, fittings and valves
- CM442 or CM444 transmitter options
- 0.1 to 10 mg/L chlorine range
- Compliant to EPA Method 334.0
- Extension Panels Available



Technical Data

Or reach out to your local Endress+Hauser sales representative and reference

Total Chlorine Systems

[Rep Finder](#)

Gas Analysis Systems

Combining core competencies to provide complete gas analysis solutions

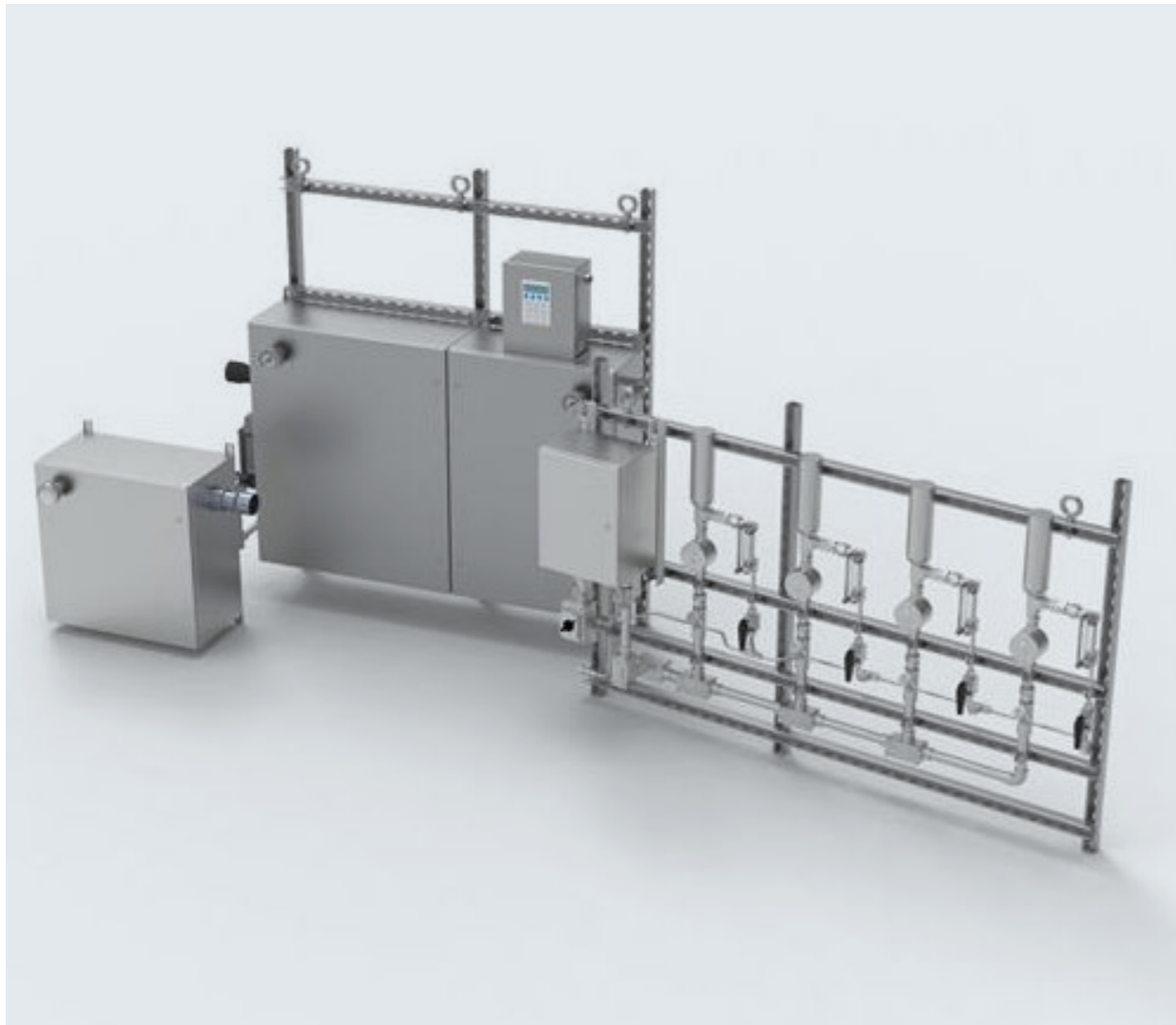
Overview

Field Installation
Systems

Sample Conditioning
Page 1

Sample Conditioning
Page 2

Venting Solutions



Applications

- Feed gas analysis
- Natural gas processing
- Petrochemical/biogas production
- Refinery control
- Vapor recovery

Industries

- Oil/Natural Gas
- Utilities
- Chemicals
- Water/Wastewater

Our features

- Heartbeat Technology ensures compliance and process safety
- Tunable laser diode absorption spectroscopy (TDLAS) technology reacts quickly to changes in concentration
- Integrated permeation tubes support automated validation checks
- Patented differential spectroscopy technique enables measurement of sub-ppmv levels of H₂O
- Laser and detector components are isolated and protected from process, ensuring accurate long-term operation

Gas Analysis Systems

[Overview](#)[Field Installation Systems](#)[Sample Conditioning Page 1](#)[Sample Conditioning Page 2](#)[Venting Solutions](#)

Configurable Analyzer Racks

Turnkey configurable racks for protection of equipment

- Up to 4 analyzers
- Single or double sided
- Optional PLC control, alarm function, LED lights
- Air supply and regulation to instruments

Note: Analyzer and sample conditioning system will need to be specified and added to the quote/order

[Configure](#)[Request Quote](#)

Or reach out to your local Endress+Hauser sales representative and reference

Configurable Analyzer Racks

[Rep Finder](#)



Single Analyzer Rack with Sunshield

- Low cost option for single analyzer field mounting
- Detachable sun/rain shield
- Not snow-load rated
- Metallized welded channel structure
- PE stamped structural calculations available per project (added cost)

[Request Quote](#)

Or reach out to your local Endress+Hauser sales representative and reference

Total Chlorine Systems

[Rep Finder](#)

Gas Analysis Systems

[Overview](#)[Field Installation Systems](#)[Sample Conditioning Page 1](#)[Sample Conditioning Page 2](#)[Venting Solutions](#)

Liquid Knockout System

Pre-engineered sample conditioning system

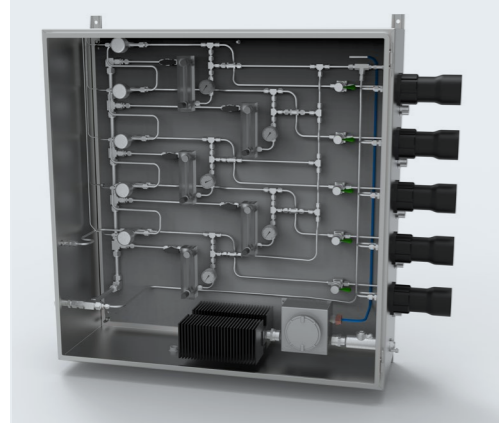
- Ensures safe operation of analyzer by reducing dew point of the sample
- Liquid knockout with drainage via flare or drain
- Suitable for gases with dew up to 70°C at 5 psia
- Stainless steel construction, NEMA 4X rated enclosure
- 125W heater and controller for temperature control

Technical Data

Or reach out to your local Endress+Hauser sales representative and reference

Liquid Knockout System

[Rep Finder](#)



Stream Switching System

Pre-engineered sample conditioning system

- Up to 4 measurable streams, with the option to disable each
- Adjustable measurement cycles for each stream
- Fully programmed standard PLC option
- 4...20mA Analog, MODBUS TCP, or MODBUS RTU output available
- Stainless steel construction, NEMA 4X rated enclosure
- Automated temperature control of samples
- Includes 4 flowmeters with valves, 4 pressure sensors

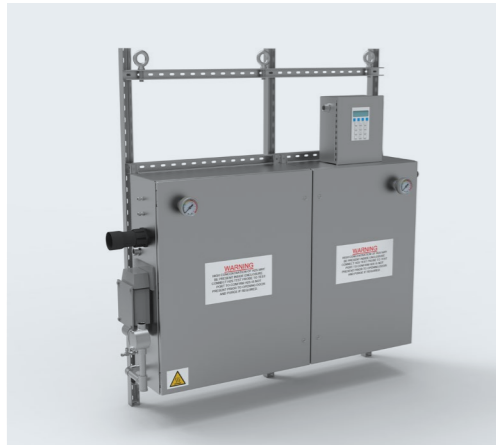
Technical Data

Or reach out to your local Endress+Hauser sales representative and reference

Stream Switching System

[Rep Finder](#)

Gas Analysis Systems

[Overview](#)[Field Installation Systems](#)[Sample Conditioning Page 1](#)[Sample Conditioning Page 2](#)[Venting Solutions](#)

Permapure Dryer Solution

- Suitable for streams with up to 6% water that must be removed for differential H₂S measurements
- All 316SS wetted components
- With and without sample pump depending on sample pressure available

[Request Quote](#)

Or reach out to your local Endress+Hauser sales representative and reference **Configurable Analyzer Racks** [Rep Finder](#)



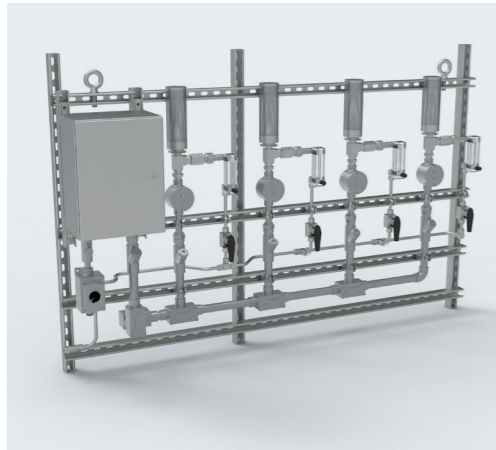
Liquid Sample Vaporizing Panel

- For field mounted vaporization (close to sample tap) of liquid samples or saturated gas pressure reduction
- All 316SS wetted components
- Up to 3.2SLPM of Propane, heavier streams may not be suitable

[Request Quote](#)

Or reach out to your local Endress+Hauser sales representative and reference **Total Chlorine Systems** [Rep Finder](#)

Gas Analysis Systems

[Overview](#)[Field Installation Systems](#)[Sample Conditioning Page 1](#)[Sample Conditioning Page 2](#)[Venting Solutions](#)

Trace Erase Venting

- Suitable for atmospheric venting when flare or process return is not an option
- Vent up to 4 SLPM of most gases, not suitable for liquids.
- Class 1 Division 2 certified equipment (system built to comply)
- All 316SS wetted components. 304SS junction box, Zinc conduit fittings.
- Pre-wired power distribution and shut-off switch

[Request Quote](#)

Or reach out to your local Endress+Hauser sales representative and reference

Configurable Analyzer Racks

[Rep Finder](#)

Instrument Training Units

The Complete Instrumentation Training Experience

Overview

Training Solutions



Our features

- Practice Hands-on Process Control Skills with your own training solution.
- Gain experience with operations, diagnostics and troubleshooting found in real-life process.
- On Site Training at a location and time that works best for you.
- Endress+Hauser and Amatrol partnership provides the best-in-class process control training solutions packages

In Partnership With



Training Solutions

The Complete Instrumentation Training Experience

Overview

Training Solutions



Instrument Training Cart

- Rolling cart design with easy access to all instruments
- Level, Pressure and Flow Instrumentation
- Electrical Panel ready for PLC integration
- Stainless tubing with Clear PVC tanks
- 120V Power requirement
- Includes hands-on training modules for all instrumentation
- Approx dimensions 6ft tall x 6ft wide x 2ft deep

In Partnership With



Technical Data

Or reach out to your local Endress+Hauser sales representative and reference

Instrument Training Carts

[Rep Finder](#)



Instrument Training Skid

- Front and back mirror image design for maximized training
- Stainless steel tanks and tubing
- Flow, Level, Pressure, Temperature, and Analytical Instrumentation
- Pneumatic Automated Valves for Main Flow Control - 2 Control Valves
- Smaller 2.5 Gallon Tanks for Dosing Applications
- Immersion Heaters in Tanks
- On board PLC with Allen Bradley Plant PAX
- Coming soon: hands-on training modules for all instruments and specific applications such as dosing, pH control, Temperature control and more!
- Approx dimensions 7.5ft tall x 11ft wide x 3ft deep

In Partnership With



Technical Data

Or reach out to your local Endress+Hauser sales representative and reference

Instrument Training Skid

[Rep Finder](#)

Accessories

Protect and improve the efficiency of your solution

Accessories



Hand Gauge Chambers

- Hinged door provides access to tanks for observation and sampling
- NPS 6", 8", or 10"
- Class 150 raised face flange connection
- SCH 40, 304 SS getpiping
- Pull action, U-bolt clamp

Technical Data

Or reach out to your local Endress+Hauser sales representative and reference **Hand Gauge Chambers**
[Rep Finder](#)

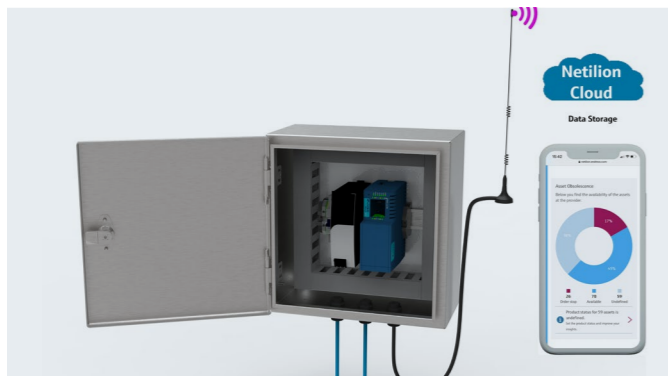


Level Fork Mounting and Protection

- Adjustable mounting for level instruments
- Vibronic level fork protector
- Clamp or Camlock mounting connection
- Stainless steel construction
- Adjustable max level height

Technical Data

Or reach out to your local Endress+Hauser sales representative and reference **Level Fork Mounting and Protection**
[Rep Finder](#)



Netillion Enclosure IIoT enabled gateway for remote monitoring of process values

Netillion Ready

- IIoT enclosure with Gateway
- Field data transmitted to the Endress+Hauser Netilion cloud
- Cellular communications
- Up to 15 process values (Endress+Hauser or third party)

Request Quote

Or reach out to your local Endress+Hauser sales representative and reference **Netillion Enclosure**
[Rep Finder](#)

Heartbeat Technology

For increased plant availability and safe operation



Diagnostics

Permanent process / device diagnostics

- Permanent self-diagnostics around the clock
- Developed acc. to IEC 61508 (SIL)
- Clear diagnostic messages according to NAMUR NE107 with remedy instructions

Verification

Documented verification without process interruption

- Traceable verification results (ISO 9001)
- Reduced verification effort: verification can be triggered at any time on the device or via higher level systems (no field presence required)

Monitoring

Additional information for predictive maintenance

- Process optimization and maintenance planning
- Early recognition of magnetite build-up (Promag), abrasion and corrosion (Promass), etc.



Netilion

Cloud-based IIoT (industrial internet of things) ecosystem, designed for industrial processes



Features

- Provides remote access to a variety of process variables, diagnostics, and instrument data through an easy to operate web server
- Enables the user to monitor and manage their process for inventory control and process optimization
- Compatibility of multiple brands and devices drives plant transparency, supports a variety of communication protocols for simple integration

Services

- **Value** – Remote access to measuring values
- **Health** – Digital diagnostic management tool
- **Analytics** – Consolidation and analysis of device data
- **Library** – Instrumentation file management service
- **Inventory** – Digital stock monitoring and management



Operation manager

Keeping production up and running is your first duty, so production downtimes are the most annoying when they could have been prevented. Use Netilion Inventory so you can monitor your stock easily and always resupply before you run out. Exact data and low-supply alarms will help you control your stock.



Logistics manager

Digital data tracking has been boosting logistics significantly in the past few years. With Netilion Inventory, you can digitalize your supply chain management, and with remote monitoring of your silos, tanks and containers, you can control your stock. You can even share data with your suppliers to improve delivery schedules.



Supply chain manager

You need the right timing and the right amount of goods to control supply chains. With Netilion Inventory and Micropilot FWR30, you can remotely monitor the fill levels of every container, even during transportation. Plus, you can set up alarms as buffers against shortages.



Information security

The company standing behind Netilion, Endress+Hauser Digital Solutions, works in compliance with ISO 27001. This standard of information security sets the benchmark for handling information and customer data within an organization. The certification confirms the capability and continual improvement of our security measures.



Cloud security

Netilion is an IIoT ecosystem that uses cloud-computing technology, making cloud security an absolute must. Endress+Hauser Digital Solutions works in compliance with ISO 27017, a standard dedicated to cloud applications, so you can trust the Netilion ecosystem as a safe harbor for your data.



Product security

The Endress+Hauser Group operates according to IEC 62443-4-1 and has its corresponding certification. TÜV Rheinland confirmed that Endress+Hauser's product development process and lifecycle management meet the highest international standards. That means you can trust the Netilion ecosystem as well as connected products from Endress+Hauser.

Technical Data

Select desired skid type:

Simplex Metering Skids

Duplex Metering Skids

Polymer Dilution Skids

Part Number	71573071	71573073	71573075	71573077	71573072	71573074	71573076	71573078
	Request Quote	Request Quote	Request Quote	Request Quote	Request Quote	Request Quote	Request Quote	Request Quote
Flow Measurement	Electromagnetic	Electromagnetic	Electromagnetic	Electromagnetic	Coriolis	Coriolis	Coriolis	Coriolis
Electrical Service	120V single phase	120V single phase	480V 3-phase	480V 3-phase	120V single phase	120V single phase	480V 3-phase	480V 3-phase
Capacity	Up to 1 GPM	1-4 GPM	2-10 GPM	4-20 GPM	Up to 1 GPM	1-4 GPM	2-10 GPM	4-20 GPM
Suction Header Line Size	1"	1"	2"	2"	1"	1"	2"	2"
Pump Discharge Line Size	½"	½"	1"	1"	½"	½"	1"	1"
Weight	200 lb.	300 lb.	325 lb.	400 lb.	200 lb.	300 lb.	325 lb.	400 lb.
Dimensions	42" x 21" x 41"	60" x 24" x 54"	66" x 24" x 54"	72" x 24" x 54"	42" x 21" x 41"	60" x 24" x 54"	66" x 24" x 54"	72" x 24" x 54"
Operation	1. Local PID control mode (enter flow SP on VFD, motor drive will speed up and slow down based on feedback from the flowmeter) 2. Remote speed control mode (third-party DCS provides a 4-20 ma signal to drive pump speed up and down and then provide flowmeter feedback via 4-20ma back to the DCS) 3. Local manual mode (pump motor runs at speed set by local VFD keypad)							

Technical Data

Select desired skid type:

Simplex Metering Skids

Duplex Metering Skids

Polymer Dilution Skids

Part Number	71573079	71573426	71573429	71573431	71573080	71573428	71573430	71573432
	Request Quote	Request Quote	Request Quote	Request Quote	Request Quote	Request Quote	Request Quote	Request Quote
Flow Measurement	Electromagnetic	Electromagnetic	Electromagnetic	Electromagnetic	Coriolis	Coriolis	Coriolis	Coriolis
Electrical Service	120V single phase	120V single phase	480V 3-phase	480V 3-phase	120V single phase	120V single phase	480V 3-phase	480V 3-phase
Capacity	Up to 1 GPM	1-4 GPM	2-10 GPM	4-20 GPM	Up to 1 GPM	1-4 GPM	2-10 GPM	4-20 GPM
Suction Header Line Size	1"	1.5"	2"	3"	1"	1.5"	2"	3"
Pump Discharge Line Size	½"	½"	1"	1"	½"	½"	1"	1"
Weight	500 lb.	650 lb.	700 lb.	1200 lb.	500 lb.	650 lb.	700 lb.	1200 lb.
Dimensions	44" x 48" x 66"	40" x 60" x 66"	40" x 64" x 66"	78" x 42" x 66"	44" x 48" x 66"	40" x 60" x 66"	40" x 64" x 66"	78" x 42" x 66"
Operation	1. Local PID control mode (enter flow SP on VFD, motor drive will speed up and slow down based on feedback from the flowmeter). 2. Remote speed control mode (third-party DCS provides a 4-20 ma signal to drive pump speed up and down and then provide flowmeter feedback via 4-20ma back to the DCS) 3. Local manual mode (pump motor runs at speed set by local VFD keypad)							

Technical Data

Select desired skid type:

Simplex Metering Skids

Duplex Metering Skids

Polymer Dilution Skids

Part Number	71573433	71573434
	Request Quote	Request Quote
Control	Manual Water Control	Automatic Water Control
Operation	Prepare an emulsion polymer for feed to the process. Continuous direct feed to process. Batch designs are available upon request	
Electrical Service	120V Single Phase	120V Single Phase
Capacity	5 GPM	5 GPM
Suction Header Line Size	1"	1"
Pump Discharge Line Size	1/2"	1/2"
Weight	400lb.	400lb.
Dimensions	36" x 30" x 66"	36" x 30" x 66"
Operation	Grundfos Vertical Multi-stage Centrifugal Pump 1/2 HP, 115/208-230VAC, 60Hz Pressure Relief Valve Plumbed to Pump Suction Sch. 80 PVC Calibration Column Back Pressure Valve	

Technical Data

Inventory Management Solutions

	Wireless Tank Monitoring	Process Monitoring Enclosures	Data Manager Enclosures	Alarm Panels
Part Number	71573065	71617655	71576952	71617870
	Request Quote	Request Quote	Request Quote	Request Quote
Application	Level	Pressure	Level	Pressure
Solar	Yes	Yes	No	No
Area Classification	Cl.1 Div 2	Cl.1 Div 2	Cl.1 Div 2	Cl.1 Div 2
Supported E+H Instruments	FMR5x-**A*****+PB FMR6x-**A*****+PB	PMP5x-**2*****+PA PMP7x-*B*****+PA	FMR5x-**A*****+PB FMR6x-**A*****+PB	PMP5x-**2*****+PA PMP7x-*B*****+PA
Range	1/2 Mile	1/2 Mile	1/2 Mile	1/2 Mile
Network Supported	Star or Mesh	Star or Mesh	Star or Mesh	Star or Mesh
Data Update Rates: *Update rate will affect Number of Gateways Needed	Up to 5 Seconds	Up to 5 Seconds	Up to 5 Seconds	Up to 5 Seconds

*Note: Wireless Nodes must be paired with appropriate # of gateways. Consult Endress+Hauser Solutions to calculation how many gateways are needed.

Technical Data

Inventory Management Solutions

	Wireless Tank Monitoring	Process Monitoring Enclosures	Data Manager Enclosures	Alarm Panels	
Part Number		71573061	71573062	71573063	71573064
		Request Quote	Request Quote	Request Quote	Request Quote
Enclosure		NEMA 4/12	NEMA 4X	NEMA 4/12	NEMA 4/12
Material		Painted steel	Painted steel	Painted Steel	Painted steel
Size (in.)		12" x 12" x 6"	12" x 12" x 6"	16" x 16" x 8"	16" x 16" x 8"
Power Requirement		120 VAC	120 VAC	120 VAC	120 VAC
Area Rating		Non-hazardous	Non-hazardous	Non-hazardous	Non-hazardous
Inputs (maximum)		(4) 4-20 mA 2-wire instruments	(4) 4-20 mA 2-wire instruments	(4) 4-20 mA 2-wire instruments (8) 4-20 mA HART instruments *Expandable up to 40 total instruments with additional hardware	(8) 4-20 mA HART instruments *Expandable up to 40 total instruments with additional hardware
Input Rating		Non-Haz	Intrinsically safe	Non-Haz	Intrinsically safe

Includes Endress+Hauser FXA42-D gateway with cellular and ethernet connectivity. *Includes 2 years cellular connectivity

Technical Data

Inventory Management Solutions

- Wireless Tank Monitoring
- Process Monitoring Enclosures
- Data Manager Enclosures
- Alarm Panels

Part Number	71573066	71573067
	Request Quote	Request Quote
Enclosure	NEMA 4/4X/12/13	NEMA 3/4/4X/12/13
Material	Stainless Steel	Fiberglass
Size (in.)	24" x 24" x 12"	24" x 24" x 12"
Power Requirement	120 V AC	120 V AC
Area Rating	Non-hazardous	Non-hazardous
Inputs	20 HART inputs	20 HART inputs
Display	40 displayable values	40 displayable values

Technical Data

Inventory Management Solutions

- Wireless Tank Monitoring
- Process Monitoring Enclosures
- Data Manager Enclosures
- Alarm Panels

Part Number	71573068	71573069
	Request Quote	Request Quote
Enclosure	NEMA 4/4X/12/13, IP66	NEMA 4/4X/12/13, IP66
Material	Stainless Steel	Fiberglass
Size (in.)	10" x 8" x 6"	10" x 8" x 6"
Power Requirement	24 V DC	24 V DC
Area Rating	Non-hazardous	Non-hazardous
Electric Horn	99 dB at 10 ft.	99 dB at 10 ft.
Alarm	(1) Red low profile strobe light (1) Amber low profile strobe light	(1) Red low profile strobe light

Technical Data

Liquid Analysis Systems

Free Chlorine Panels

Total Chlorine Panels

	Free Chlorine Panel	Extension Panel
	Request Quote	Request Quote
Order Code	CSOL-PA1WM1 TSP: 71601473	CSOL-PA1WM1 TSP: 71601473
Application	Free chlorine, free bromine, chlorine dioxide, dissolved ozone	Flow and holder assembly for adding disinfection sensors to an existing disinfection analysis system with a CM444 transmitter.
Measuring Range	Free Chlorine: 0 to 200 ppm Free Bromine: 0 to 200 ppm Chlorine Dioxide: 0 to 200 ppm Dissolved Ozone: 0 to 2 ppm	Sensor dependent
Flow Cell	CYA27	CYA27
Operating Pressure	Controlled to 15 psi with lead-free regulator	Controlled to 15 psi with lead-free regulator
Transmitter	CM442 or CM444	None. Sensors connect to existing disinfection system with CM444 transmitter
Outputs	With CM442: Two 0/4-20 mA outputs, alarm relay and two discrete outputs. With CM444: Up to eight 0/4-20 mA outputs, alarm relay, up to four relay outputs (SPDT), Digital fieldbuses (HART, Profibus DP, ProfiNet, Modbus (458 or TCP) or EtherNet/IP, discrete outputs.	
Inputs	CM442: Memosens Disinfection sensor and Memosens CPS31E pH CM444: Memosens Disinfection and Memosens CPS31E pH and up to six additional sensors.	
Power Supply	120-240 VAC, 50-60 Hz	
Ambient Temperature	CM442: 0-140 °F CM444: 0-120 °F	
Mounting	Wall mountable TRESPA panel	Wall mountable TRESPA panel

*Note: Liquid Analysis Instrumentation sold separately.

Technical Data

Liquid Analysis Systems

Free Chlorine Panels

Total Chlorine Panels

Part Number	71573454	71573455	71573456	71573444
	Request Quote	Request Quote	Request Quote	Request Quote
Measuring Range	0.1–10 mg/L chlorine	0.1–10 mg/L chlorine	0.1–10 mg/L chlorine	0.1–10 mg/L chlorine
Flow Cell	CCA250, plexiglass	CCA250, plexiglass	CCA250, plexiglass	CCA250, plexiglass
Operating Pressure	15 psi, controlled with lead-free regulator	15 psi, controlled with lead-free regulator	15 psi, controlled with lead-free regulator	15 psi, controlled with lead-free regulator
Transmitter	CM442	CM444	CM444	N/A
Output	(2) 4–20 mA (2) discrete outputs (1) alarm relay	(2) 4–20 mA (2) discrete outputs (1) alarm relay *Expandable	(2) 4–20 mA (2) discrete outputs (1) alarm relay (1) Ethernet/IP *Expandable	N/A
Input	Memosens CCS120D total chlorine sensor	Memosens CCS120D total chlorine sensor	Memosens CCS120D total chlorine sensor	Memosens CCS120D total chlorine sensor
Power Supply	120–240 VAC, 50–60 Hz	120–240 VAC, 50–60 Hz	120–240 VAC, 50–60 Hz	N/A
Ambient Temperature	0–140 °F	0–120 °F	0–120 °F	0–120 °F
Mounting	Wall-mountable stainless-steel panel	Wall-mountable stainless-steel panel	Wall-mountable stainless-steel panel	Wall-mountable stainless-steel panel
Operation	Local interface via LCD display, menu-driven soft keys, and navigator knob. Optional IP addressable webserver. Optional HART, Profibus DP, ProfiNet, Modbus (TCP or 485) or Ethernet/IP. Integrated with Fieldcare/ DeviceCare, Field Data Manager and W@M asset management			
Transmitter Housing	Polycarbonate housing, IP66/67, NEMA 4X			

Technical Data

Gas Analysis Systems

Liquid Knockout System

Non-Trace Measurement Stream Switching Systems

Trace Measurement Stream Switching Systems

Part Number	71574473
	Request Quote
Streams	1 Stream
Analyzer	Non-Trace Measurement
Enclosure(s)	Stainless Steek NEMA 4X
Dimensions	System Enclosure: 36" x 24" x 12"
Sample Inlet Size	1/4"
Vent Size	1/2"
Drain Line Size	1/4"
Electrical Service	120 VAC
Heater	200 W, 120 VAC
Max Ambient Operating Temperature	40 °C
Min Ambient Operating Temperature	-20 °C
Max Operating Pressure	125 psig
Max Drain Pressure	15 psig

Technical Data

Gas Analysis Systems

Liquid Knockout System

Non-Trace Measurement
Stream Switching SystemsTrace Measurement
Stream Switching Systems

Part Number	71574474	71574475	71574667	71574671	71574672	71574673
	Request Quote	Request Quote	Request Quote	Request Quote	Request Quote	Request Quote
Streams	2 Stream	3 Stream	4 Stream	2 Stream	3 Stream	4 Stream
Analyzer	Non-Trace Measurement	Non-Trace Measurement	Non-Trace Measurement	Non-Trace Measurement	Non-Trace Measurement	Non-Trace Measurement
PLC	Allen Bradley Micrologix	Allen Bradley Micrologix	Allen Bradley Micrologix	No PLC	No PLC	No PLC
Enclosure(s)	Stainless Steel NEMA 4X	Stainless Steel NEMA 4X	Stainless Steel NEMA 4X	Stainless Steel NEMA 4X	Stainless Steel NEMA 4X	Stainless Steel NEMA 4X
System Enclosure Dimensions	36" x 36" x 12"	36" x 36" x 12"	36" x 36" x 12"	36" x 36" x 12"	36" x 36" x 12"	36" x 36" x 12"
PLC Enclosure Dimensions	24" x 24" x 12"	24" x 24" x 12"	24" x 24" x 12"	-	-	-
Sample Inlet Size	1/4"	1/4"	1/4"	1/4"	1/4"	1/4"
Vent Size	1/2"	1/2"	1/2"	1/2"	1/2"	1/2"
Electrical Service	120 VAC	120 VAC	120 VAC	120 VAC	120 VAC	120 VAC
Heater	200 W, 120 VAC	200 W, 120 VAC	200 W, 120 VAC	200 W, 120 VAC	200 W, 120 VAC	200 W, 120 VAC
Outputs	Analog, Modbus TCP, Modbus RTU	Analog, Modbus TCP, Modbus RTU	Analog, Modbus TCP, Modbus RTU	Analog, Modbus TCP, Modbus RTU	Analog, Modbus TCP, Modbus RTU	Analog, Modbus TCP, Modbus RTU
Max Ambient Operating Temp	50 °C	50 °C	50 °C	50 °C	50 °C	50 °C
Min Ambient Operating Temp	-20 °C	-20 °C	-20 °C	-20 °C	-20 °C	-20 °C
Max Operating Pressure	125 psig	125 psig	125 psig	125 psig	125 psig	125 psig

Technical Data

Gas Analysis Systems

Liquid Knockout System

Non-Trace Measurement Stream Switching Systems

Trace Measurement Stream Switching Systems

Part Number	71574668	71574669	71574670	71574674	71574675	71574676
	Request Quote	Request Quote	Request Quote	Request Quote	Request Quote	Request Quote
Streams	2 Stream	3 Stream	4 Stream	2 Stream	3 Stream	4 Stream
Analyzer	Trace Measurement	Trace Measurement	Trace Measurement	Trace Measurement	Trace Measurement	Trace Measurement
PLC	Allen Bradley Micrologix	Allen Bradley Micrologix	Allen Bradley Micrologix	No PLC	No PLC	No PLC
Enclosure(s)	Stainless Steel NEMA 4X	Stainless Steel NEMA 4X	Stainless Steel NEMA 4X	Stainless Steel NEMA 4X	Stainless Steel NEMA 4X	Stainless Steel NEMA 4X
System Enclosure Dimensions	36" x 36" x 12"	36" x 36" x 12"	36" x 36" x 12"	36" x 36" x 12"	36" x 36" x 12"	36" x 36" x 12"
PLC Enclosure Dimensions	24" x 24" x 12"	24" x 24" x 12"	24" x 24" x 12"	-	-	-
Sample Inlet Size	1/4"	1/4"	1/4"	1/4"	1/4"	1/4"
Vent Size	1/2"	1/2"	1/2"	1/2"	1/2"	1/2"
Electrical Service	120 VAC	120 VAC	120 VAC	120 VAC	120 VAC	120 VAC
Heater	200 W, 120 VAC	200 W, 120 VAC	200 W, 120 VAC	200 W, 120 VAC	200 W, 120 VAC	200 W, 120 VAC
Outputs	Analog, Modbus TCP, Modbus RTU	Analog, Modbus TCP, Modbus RTU	Analog, Modbus TCP, Modbus RTU	Analog, Modbus TCP, Modbus RTU	Analog, Modbus TCP, Modbus RTU	Analog, Modbus TCP, Modbus RTU
Max Ambient Operating Temp	50 °C	50 °C	50 °C	50 °C	50 °C	50 °C
Min Ambient Operating Temp	-20 °C	-20 °C	-20 °C	-20 °C	-20 °C	-20 °C
Max Operating Pressure	125 psig	125 psig	125 psig	125 psig	125 psig	125 psig

Technical Data

Instrument Training Units

Instrument Training

Part Number	71617873	71617874
	Request Quote	Request Quote
Frame	Rolling Cart, Painted Carbon Steel	Stationary Skid, Painted Carbon Steel
Tubing Material	Stainless Steel	Stainless Steel
Instrumentation Covered	Flow (Mag and Coriolis) Level (Point and Continuous) Pressure (Inline and Differential) Temperature	Flow (Mag and Coriolis) Level (Point and Continuous) Pressure Temperature Analytical
Power Requirement	120V, 5A, 60Hz	480V, 3PH, 30A, 60Hz
Tank Size	(2) 3 Gallon Clear PVC Tanks	(2) 125 Gallon Stainless Tanks
Valves	Manual	Pneumatic Automated Valves
PLC	Ready for PLC Integration	On Board PLC with Allen Bradley Plant PAX
pH Dosing	No	Yes
Training Modules	Yes	Coming Soon
Overall Dimensions	6ft Tall x 6ft Wide x 2ft Deep	7.5ft Tall x 11ft Wide x 3ft Deep

Technical Data

Accessories

Hand Gauge Chambers

Fork Protection

Part Number	71200157	71200155	71221401
	Request Quote	Request Quote	Request Quote
Process Connection	NPS 6" CI 150 lbs., RF, SCH40 304 SS Flange	NPS 8" CI. 150lbs. RF, SCH.40 304 SS flange	NPS 10" CI. 150lbs. RF, SCH.40 304 SS flange
Length	30"	30"	30"
Door Gaskets	Door Gaskets 3M 847 Nitrile High Performance Gasket	Door Gaskets 3M 847 Nitrile High Performance Gasket	Door Gaskets 3M 847 Nitrile High Performance Gasket
Clamp	Clamp Pull action, u-bolt clamp	Clamp Pull action, u-bolt clamp	Clamp Pull action, u-bolt clamp
Door	Hinged door	Hinged door	Hinged door
Notes	Flange bolts and gaskets not included	Flange bolts and gaskets not included	Flange bolts and gaskets not included

Technical Data

Accessories

Hand Gauge Chambers

Fork Protection

Part Number	71230166	71209186	71268169
	Request Quote	Request Quote	Request Quote
Application	Vibronic Level Fork Protection	Vibronic Level Fork Adjustable Mounting and Protection	Vibronic Level Fork Adjustable Mounting and Protection
Mounting	Clamps to probe	Clamps to lid of truck or rail openings	3" Camlock connection
Material	Stainless steel	Stainless steel	Stainless steel
Notes	Does Not Include Instrument	Includes fork protector part number 71230166 ▪ Does not include instrument	Includes fork protector part number 71230166 ▪ Does not include instrument